

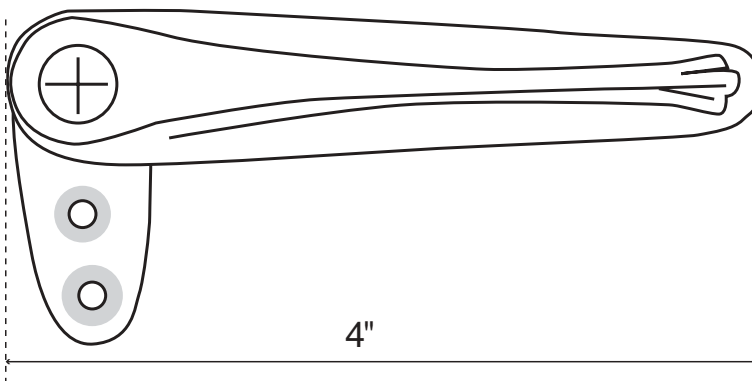


# Stair-Hold®

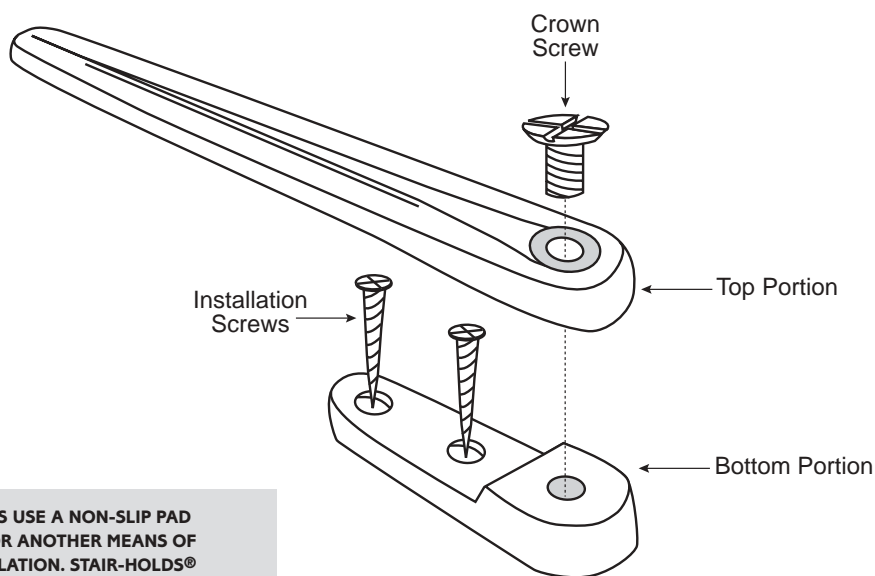
COLLECTION

## SPECIFICATIONS

Zoroufy Stair-Holds® lock into position, concealing the mounting screws.



## STAIR-HOLD® COLLECTION INSTALLATION INSTRUCTIONS



1. The carpet runner must be installed using another method of installation. Zoroufy Stair-Holds® are for decorative use only.
2. Separate the top portion from the bottom portion by unscrewing the crown screw on the top of the Stair-Hold®.
3. Position bottom portion in desired position on the steps. Install using screws provided or other anchors suitable for stair material. Drilling a pilot hole first is recommended.
4. Place top portion onto installed bottom portion and secure using crown screw.

ALWAYS USE A NON-SLIP PAD AND/OR ANOTHER MEANS OF INSTALLATION. STAIR-HOLDS® ALONE ARE NOT A FORM OF CARPET INSTALLATION.

ALL PARTS ARE LACQUER COATED TO RESIST TARNISHING. DO NOT USE BRASS CLEANER OR OTHER ABRASIVES. TO CLEAN, SIMPLY WIPE WITH A SOFT DRY CLOTH.

PERIODICALLY CHECK AND TIGHTEN ALL SCREWS AND HARDWARE.



ZOROUFY STAIR-HOLDS® ARE FOR DECORATIVE USE ONLY.

© Zoroufy 2005  
Illustrations in this book cannot be reproduced in part or in whole without the written consent of Zoroufy Stair Rods.